

Complies with AS 1418.2

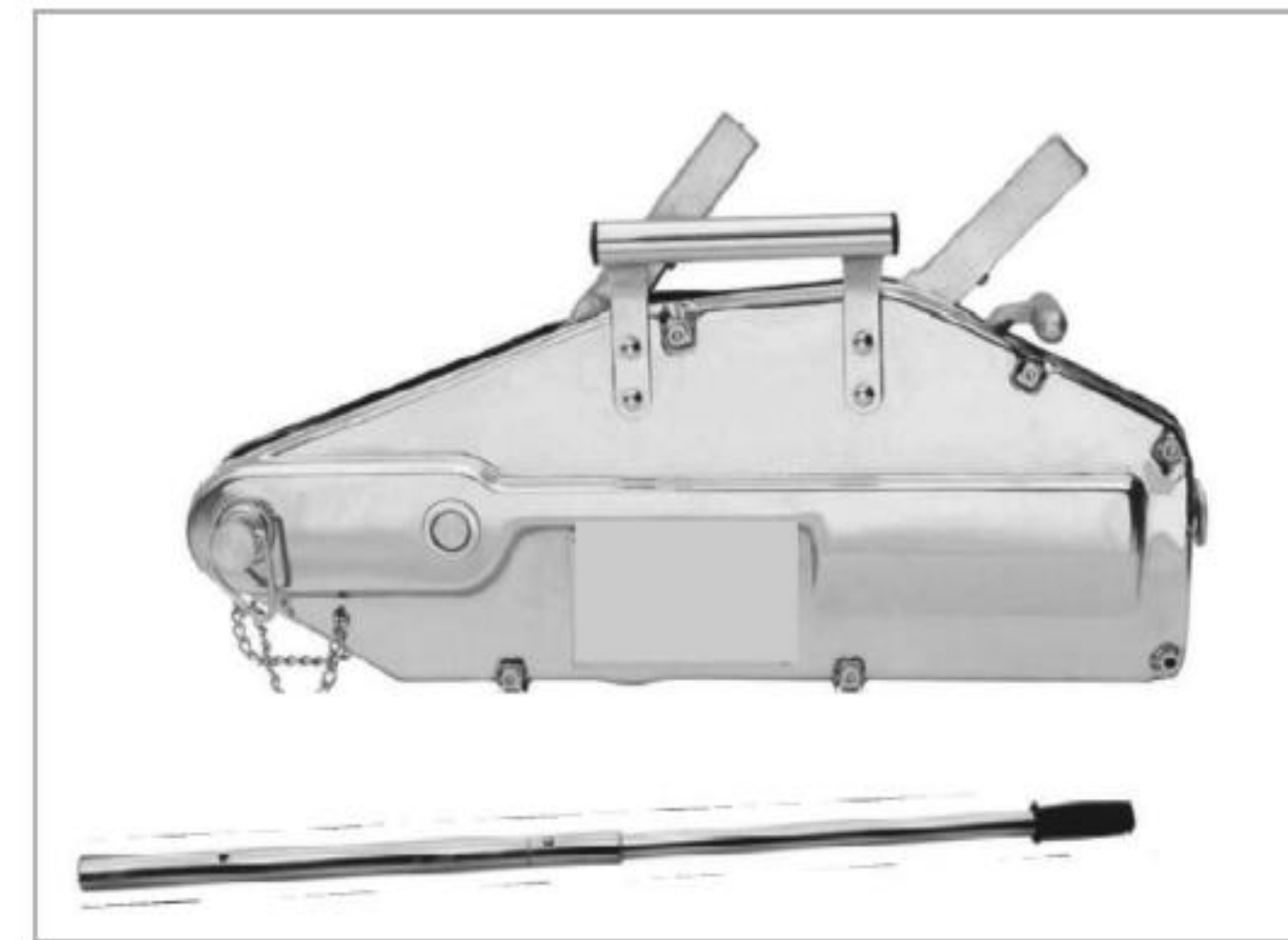
TiTAN

Puller Winch

Wire Rope Winch

WIUT800, WIUT 1600 & WIUT 3200

User's Manual



ALLAN MARKETING GROUP PTY LTD.

42 Clements Ave, BUNDOORA, VIC. AUSTRALIA. 3083

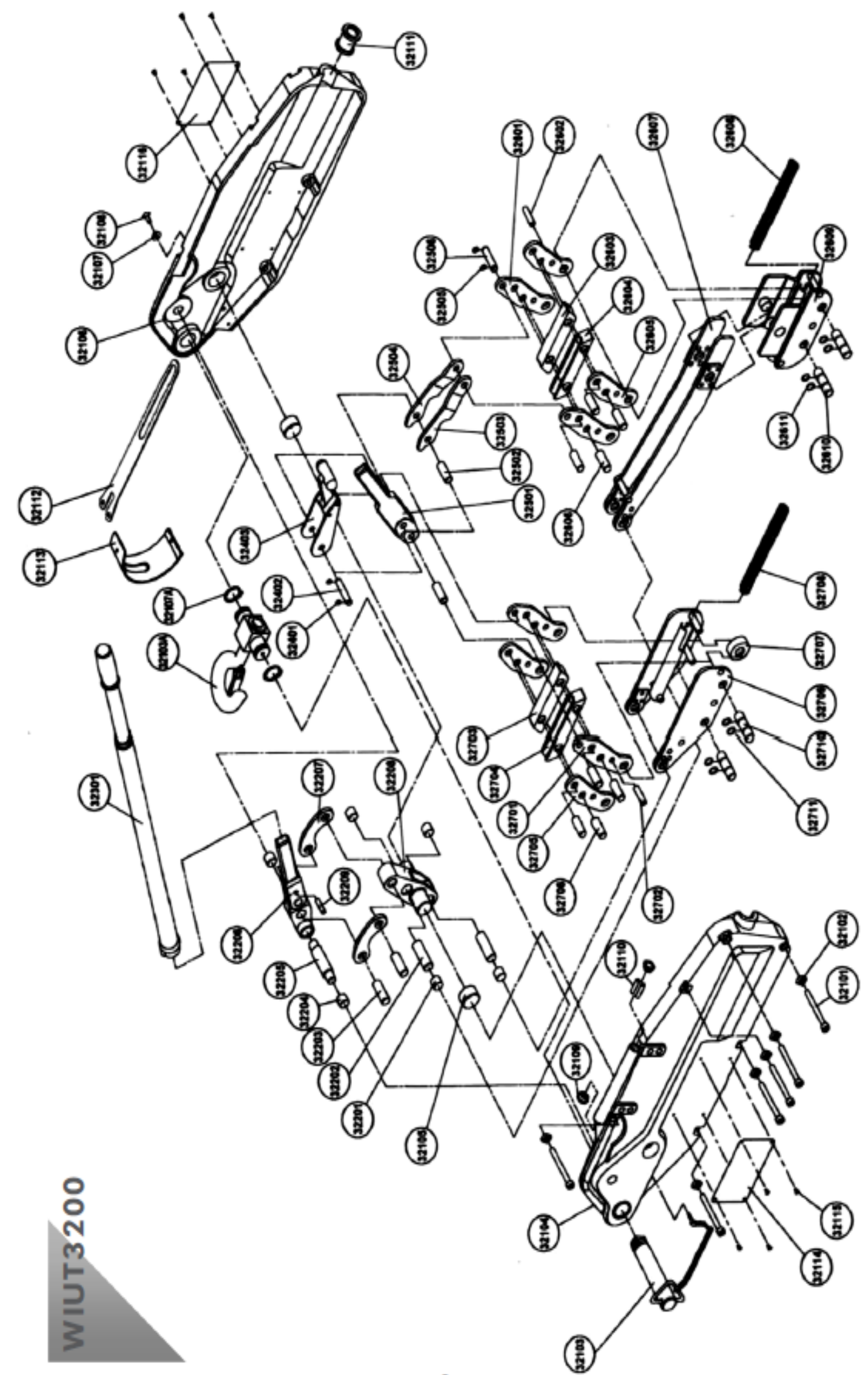
Tel: 61-3-9466 7840, Fax: 61-3-9466 7743

Complies with AS 1418.2

Wire Rope Construction 6 x 19-S IWRC G1770

Complies with AS 1418.2

Model Code		WPH-08	WPH-16	WPH-32
Rated Lifting Capacity	tonnes	0.8	1.6	3.2
Rated Pulling Capacity	tonnes	1.3	2.0	5.2
Rope advance per full stroke cycle	mm	>52	>55	>28
Operating effort at rated load	kg	29	40	45
Telescopic handle length	mm	800	1120	1120
Anchor Pin diameter	mm	22	25	30
Net weight (without rope)	kg	7.5	16	26
Diameter of wire rope	mm	8.5	11.5	16.5
Standard wire rope length	m	20	20	20
Net weight of wire rope and collector	kg	8	14	24



WIUT3200

WARRANTY POLICY

TITAN wire rope winches are guaranteed to be free of defects in material and workmanship. If one of these products fails during the first year of operation due to defective material or workmanship it will be repaired or replaced at our discretion. Normal wear and tear on moving parts is excluded from the guarantee. This guarantee does not apply to any product showing sign of misuse, overloading, alteration, or improper maintenance

WARRANTY PROCEDURE

After receiving authorization from our office, any product for which there is a warranty claim, must be returned prepaid to an authorized TITAN warranty depot along with proof of purchase

Address for information on TITAN wire rope winches, warranty depots:

ALLAN MARKETING GROUP PTY LTD.
 42 Clements Ave, BUNDOORA, VIC. AUSTRALIA. 3083
 Tel: 61-3-9466 7840, Fax: 61-3-9466 7743

PRIOR TO INSTALLATION

Check for damage during shipment. Place claim with carrier if any damage is discovered. DO NOT install or use a damaged wire rope winch.

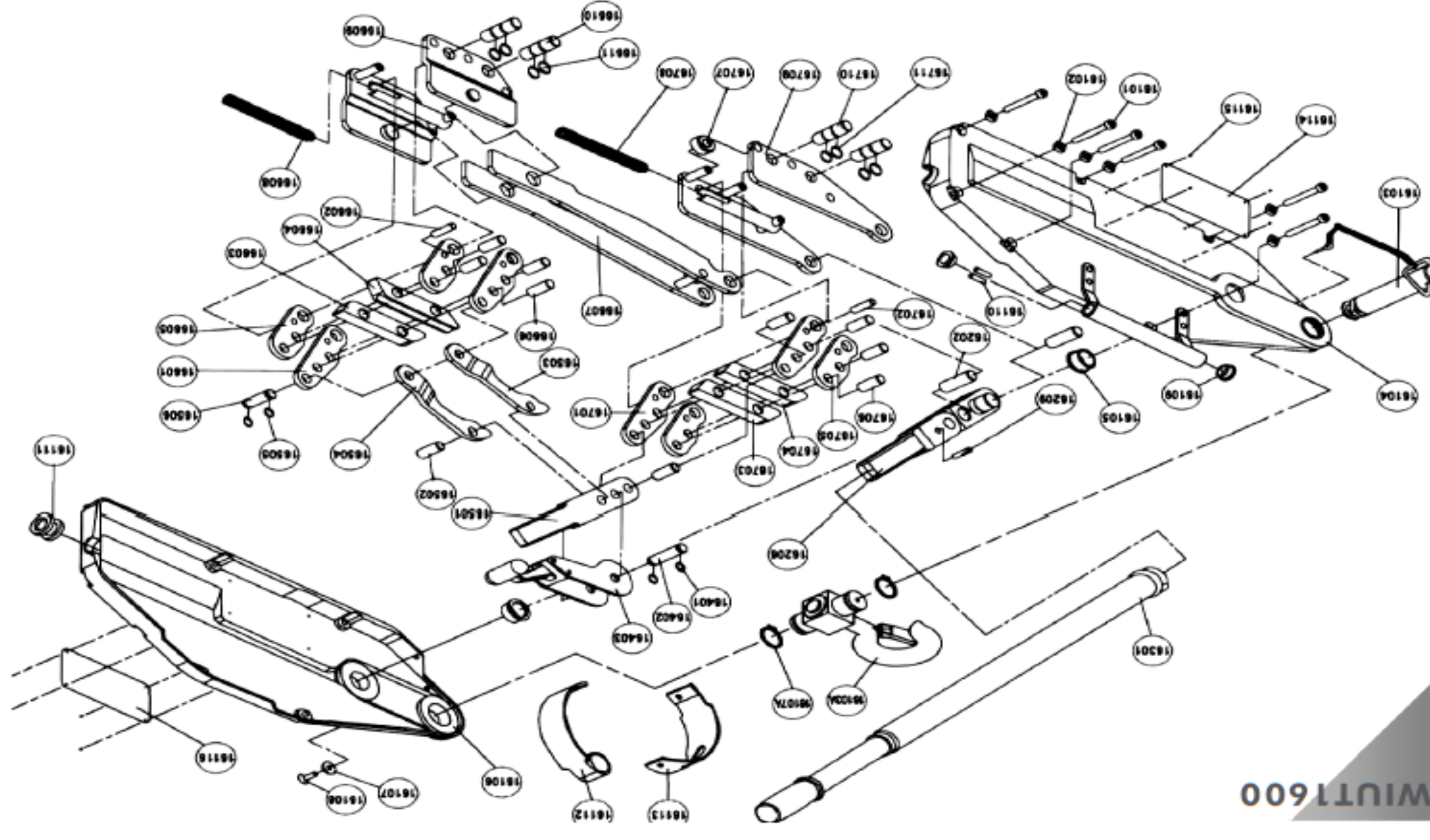
Check and verify that the structure or other equipment that will support the wire rope winch has a rated load capacity equal to or greater than the rated load capacity of the wire rope winch to be used.

SAFETY PRECAUTIONS

- A. READ these instructions before installing, operating, or maintaining this equipment.
- B. WARN personnel of approaching loads.
- C.
1. DO NOT lift more than rated load.
 2. DO NOT operate with kinked or frayed cable.
 3. DO NOT operate unless load is properly applied to the saddle or bowl of the hook.
 4. DO NOT operate if load is applied to the tip of the hook.
 5. DO NOT operate with missing or damaged hook latch.
 6. DO NOT lift people or lift loads over people.
 7. DO NOT operate winch with lever extensions.
 8. DO NOT operate a damaged or malfunctioning winch.
 9. DO NOT leave load suspended when winch is unattended unless specific precautions have been instituted and are in place.

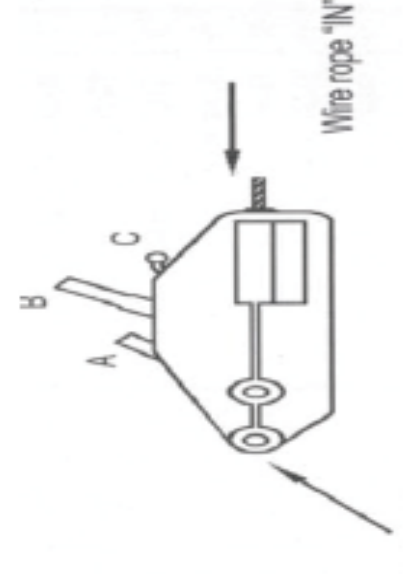
OPERATION

1. Before using your TITAN wire rope winch apply oil to the winch through the top slot. Operate the reversing lever continuously while spreading oil over the internal parts of the winch. If the winch is improperly oiled, the wire rope may fail to move forward or backward. We recommend wear resisting oil such as Shell Tonna T68 or the equivalent.
2. Pull lever 'A' fully back while simultaneously pushing levers 'B' and 'C' forward until 'C' locks into position.
3. Feed tapered end of wire rope through winch from end opposite the anchor pin. When wire rope has emerged at opposite end, pull until it is tight.
4. Pull lever 'C' back from locked position.
5. Before operation, attach winch to a suitable anchor point by means of a sling.
6. To send the wire rope forward/upward, set the handle on lever 'A' and move it back and forth.
7. To send the wire rope backward/downward, set the handle on lever 'B' and move it back and forth.



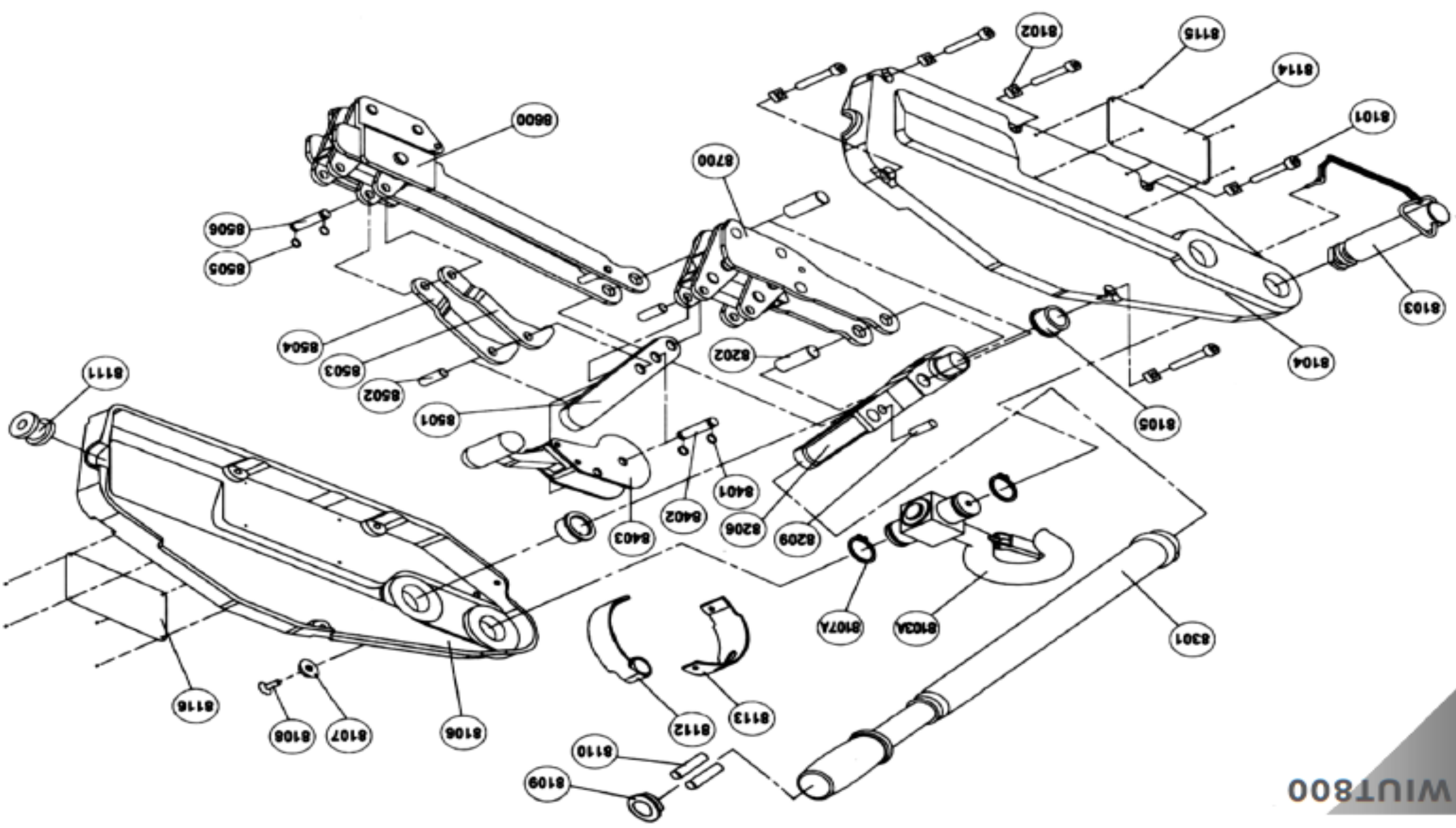
WU11600

8. Precautions to be taken after operation:
 - a. After use, remove the wire rope from the winch and take the release lever 'C' off the catch.
 - b. Wipe off sand and water from the main body and wire rope and spread oil on both.
 - c. Store the winch properly to ensure safety for future use.
9. To remove cable from unit, set release lever 'C' on catch (push forward until it locks). Pull cable out from the "IN" side.



MAINTENANCE AND SAFETY PRECAUTIONS

1. Cleaning the wire rope:
Sand or dirt clinging to the wire rope will accelerate abrasion of the rope and clutch mechanisms. Clean and oil unit regularly.
2. Use care to prevent the wire rope from kinking.
3. Replace wire rope when:
 - a. rope becomes frayed.
 - b. rope exhibits kinks or any abnormal deformation.
 - c. rope sustains an exceptionally heavy shock during operation: rope is then extremely fatigued even if load is within winch capacity.
 - d. entire rope is napped due to many small cuts.
 - e. thimble at hook is deformed.
 - f. rope clamp is deformed.
4. Do not allow rope to contact sharp edges. This will greatly reduce its strength.



WIU1800

SPARE PARTS LIST

NO.	DESCRIPTION	QTY.	PART NO.		
			UT08	UT16	UT32
1	Housing Screw Bolt	6(5)	8101	16101	32101
2	Nut	6(5)	8102	16102	32102
3	Anchor Pin	1	8103	16103	32103
4	Swivel Hook (for A Type)	1	8103A	16103A	32103A
5	Housing (Left Side)	1	8104	16104	32104
6	Bush for Shake Rod	2	8105	16105	32105
7	Housing (Right Side)	1	8106	16106	32106
8	Washer	1***	8107	16107	32107
9	Snap Ring (for A Type)	2	8107A	16107A	32107A
10	Screw Bolt	1***	8108	16108	32108
11	Cover	2(1)**	8109	16109	32109
12	Spare Shear Pin *0	2**	8110	16110	32110
13	Rope Guide	1	8111	16111	32111
14	Upper Dust Proof	1	8112	16112	32112
15	Lower Dust Proof	1	8113	16113	32113
16	Nameplate	1	8114	16114	32114
17	Rivet	8***	8115	16115	32115
18	Instructing Plate	1	8116	16116	32116
19	Bush for Crank Axle	4	-	-	32201
20	Crank Axle	2	8202	16202	32202
21	Connecting Rod Axle	2	-	-	32203
22	Bush for Operating Handle Axle	2	-	-	32204
23	Operating Handle Axle	1	-	-	32205
24	Shake Rod & Operating Lever Assembly	1	8206	16206	N.A.
25	Operating Handle & Lever Assembly	1	-	-	32206
26	Connecting Rod	2	-	-	32207
27	Shake Rod	1	-	-	32208
28	Shear Pin *0	1**	8209	16209	32209
29	Telescope Handle	1**	8301	16301	32301
30	Snap Ring	2	8401	16401	32401
31	Release Handle Pin	1	8402	16402	32402
32	Release Handle	1	8403	16403	32403
33	Reversing Lever	1	8501	16501	32501
34	Connecting Axle	1	8502	16502	32502
35	Connecting Rod (Left Side)	1	8503	16503	32503
36	Connecting Rod (Right Side)	1	8504	16504	32504
37	Snap Ring	2	8505	16505	32505
38	Release Connecting Rod Axle	1	8506	16506	32506

NO.	DESCRIPTION	QTY.	PART NO.		
			UT08	UT16	UT32
39	Rear Jaw Block Assembly Set	1	8600	-	-
40	Long Clamp Plate *1	2	N.A.	16601	32601
41	Clamp Plate Pin *2	1	N.A.	16602	32602
42	Upper Jaw *3	1	N.A.	16603	32603
43	Lower Jaw *3	1	N.A.	16604	32604
44	Clamp Plate *5	2	N.A.	16605	32605
45	Jaw Axle *6	4	N.A.	16606	32606
46	Connecting Rod Assembly	1	N.A.	16607	32607
47	Spring *8	1	N.A.	16608	32608
48	Rear Jaw Block Assembly	1	N.A.	16609	32609
49	Clamp Plate Axle *10	2	N.A.	16610	32610
50	Snap Ring *11	4	N.A.	16611	32611
51	Front Jaw Block Assembly Set	1	8700	-	-
52	Long Clamp Plate *1	2	N.A.	16701	32701
53	Clamp Plate Pin *2	1	N.A.	16702	32702
54	Upper Jaw *3	1	N.A.	16703	32703
55	Lower Jaw *3	1	N.A.	16704	32704
56	Clamp Plate *5	2	N.A.	16705	32705
57	Jaw Axle *6	4	N.A.	16706	32706
58	Support Wheel	1	-	16707	32707
59	Spring *8	1	N.A.	16708	32708
60	Front Jaw Block Assembly	1	N.A.	16709	32709
61	Clamp Plate Axle *10	2	N.A.	16710	32710
62	Snap Ring *11	4	N.A.	16711	32711

INDICATE:

- * N.A. " Non-available for this part.
- " " No this part.
- " (5) " 5 pcs of "Housing Screw Bolt" & 5 pcs of "Nut" on WUIT800
- " (1) " 1 pc of "Cover" on WUIT800
- " *** " Same parts for WUIT800 / WIUT1600 / WIUT3200
- " ** " Same parts for WIUT1600 / WIUT3200
- " *# " Same parts on one model, such as "Upper Jaw *3", "Lower Jaw *3", which are the same parts on the model

Please mention part number when ordering.