

2023

**Ti**TAN  
LIFTING TECHNOLOGIES

# ELECTRIC BUILDERS HOIST



**Ti**TAN  
LIFTING TECHNOLOGIES



**Call: +61 3 9466 7840**

**Visit: [www.titanlifting.com](http://www.titanlifting.com)**

**Or email: [sales@titanlifting.com](mailto:sales@titanlifting.com)**

**Allan Marketing Group 42 Clements Ave, Bundoora, VIC, Australia 3083**

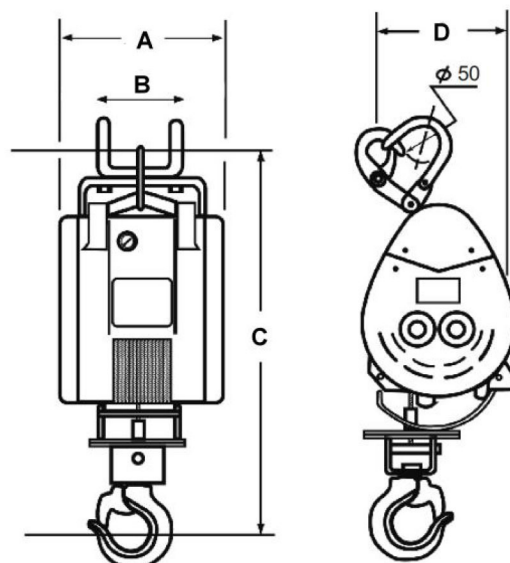
SPECIFICATIONS & DIMENSIONS SUBJECT TO CHANGE WITHOUT NOTICE.



# ELECTRIC BUILDERS HOIST - WIRELESS

## FEATURES

- Electromagnetic and Mechanical brake which provides instant and safe braking
- Equipped with a high quality JUUKO Wireless Remote Control, with 50metre radius
- Additional UP/DOWN buttons on side of hoist body
- Wireless Remote Control, Handheld Pendant & UP/DOWN buttons on body all have a IP65 Rating
- Single Phase 240v Power Source
- Fitted with 30 metre wire rope
- Lifting Height 29mtrs
- Duty Cycle 15mins per 60mins
- Wire Rope Construction: 7x19 G1470
- Power Cable Length: 5mtrs



## DIMENSIONS

Model	A	B	C	D
TBH-230-WRC	280	115	600	200

## SPECIFICATIONS

Model	Capacity (kg)	Speed (M/min)	Motor (W)	Wire (Ømm x M)	N.W. (kg)	G.W. (kg)
TBH-230-WRC	230	15-23	110V	1500W/13A	5 x 30	17
			220V	1500W/6.5A		