

25t TELESCOPIC SPREADER BEAM

Maxirig
QUALITY LIFTING SOLUTIONS



**MODEL
TSB2254**

SPECIFICATION

Tare Weight:	0.160t (Excl. slings/shackles)
Lifting lugs (top) suit:	25t Grade S bow shackle
Load lugs (lower) suit:	17t Grade S bow shackle
Centre lug suits:	Crane Hook

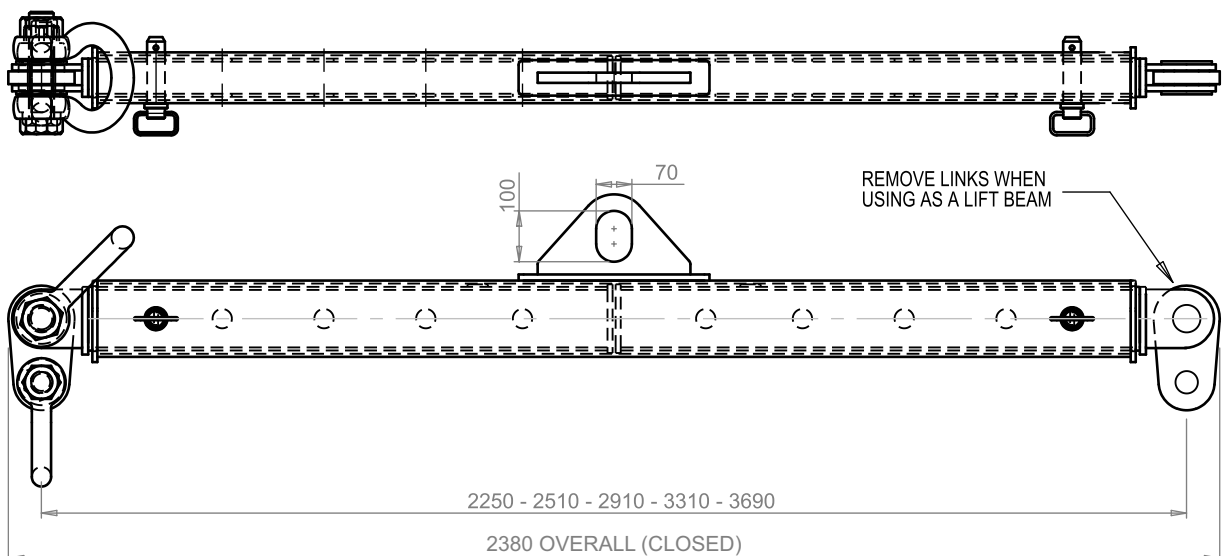
ASSURANCE

Compliance Standard:	AS4991-2004
Proof load tested:	Yes
NDT Weld Inspection:	Yes
Standard Finish*:	Painted (G36 Green)

*Other colours/finishes available on request

LOAD CHART

Span (Mtrs)	WLL (at included sling angle)				Approx. Sling Leg Length (Mtrs)			Approx. Headroom (Mtrs)		
	60°	90°	120°	CENTRE LIFT	60°	90°	120°	60°	90°	120°
2.25m	25t	14t	NA	2.7t	2.25	1.6	NA	1.9	1.1	NA
2.51m	25t	14t	8t	2.4t	2.51	1.8	1.4	2.2	1.3	0.7
2.91m	25t	14t	8t	2.1t	2.91	2.1	1.7	2.5	1.5	0.8
3.31m	25t	14t	8t	1.75t	3.31	2.3	1.9	2.9	1.7	1
3.69m	25t	14t	8t	1.65t	3.69	2.6	2.1	3.2	1.8	1.1



SUPERIOR QUALITY LIFTING PRODUCTS AUSTRALIA WIDE
All Maxirig products are designed and manufactured in Australia by our highly skilled team of engineers

maxirig.com.au